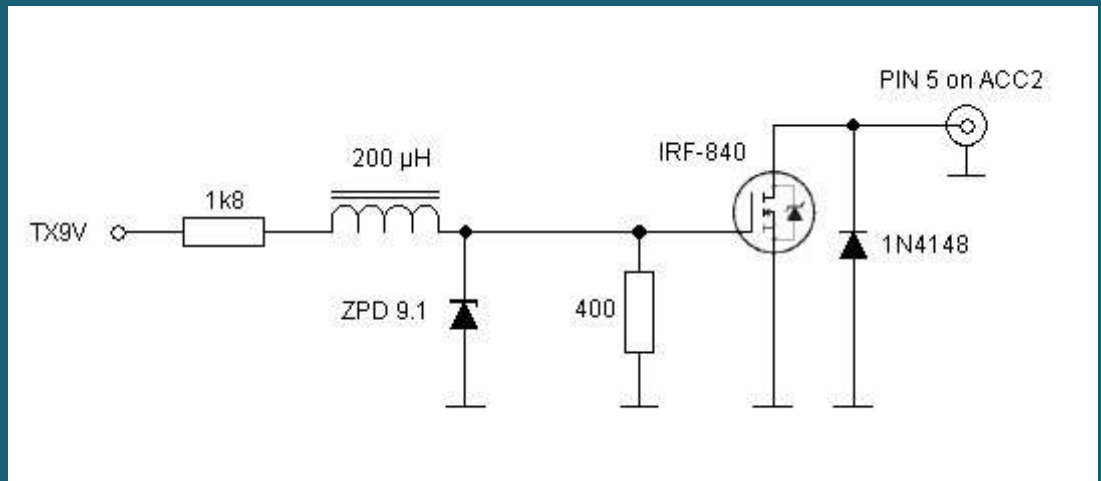


Location: [HAM RADIO WEBSITE](#) > [VHF Portable 144MHz](#) > [PTT Out for TS711](#)

PTT Out for TS711

The Kenwood TS711e has no PTT out Connector to switch an Amplifier or Pre-Amp. I found a small circuit, that can be paced in the Rig. The circuit shows the PTT OUT to ACC2 Pin5. I put a DIN Connector in the hole of ACC1 for the PTT OUT.



The TX9V can be found after opening the bottom here



To bring the PTT out of the Rig, you can take the shutter out of the ACC1 Hole.

[HAM RADIO WEBSITE](#)
[Sitemap](#)
[Something about me](#)
[FAQ](#)
[Personal Shop](#)
[Vintage Projects](#)
[Vintage Tube PA](#)
[RF Equipment](#)
[Modern USB](#)
[Vintage Equipment](#)
[VHF Portable 144MHz](#)
[HF Equipment](#)
[Vintage HiFi PA](#)
[Links](#)
[Contact Us](#)
[Amateur Radio](#)
[Downloads](#)
[For Sale](#)
[Web Applications](#)
[My Cluster](#)
[Online Bookshelf](#)
[Index](#)

Login

Printversion

Last modified:
July 15, 2013 19:50:21

